

# AMUN 716 S0

Item no.: 7160820

**theben**

Climate control  
Sensor technology

## Description

- CO<sub>2</sub> sensor
- Suitable for conference and meeting rooms, offices, schools/nurseries, passive and low-energy housing.
- For fan control
- Warning display for CO<sub>2</sub> concentration
- Power unit optionally available, power unit is suitable for flush mounted installation
- Simple upgrade of uncontrolled ventilation systems possible
- 3 x 0–10 V outputs for CO<sub>2</sub>, temperature and relative humidity



## Technical data

AMUN 716 S0	
Operating voltage	24 V AC/DC SELV
Outputs	3 x 0-10 V
Measuring range CO <sub>2</sub>	0 – 5000 ppm
Measuring range temperature	5°C ... 40°C
Measuring range humidity	30 – 80 % rH
ON/OFF thresholds	700 ppm ±200 ppm, 1300 ppm ±200 ppm

AMUN 716 S0	
Type of connection	Screw terminals
Display	6 LEDs
Installation type	Wall installation (also on flush-mounted socket possible)
Type of protection	IP 20
Protection class	II according to EN 60 730-1

Subject to technical changes and misprints

additional information at: [www.theben.de/product/7160820](http://www.theben.de/product/7160820)

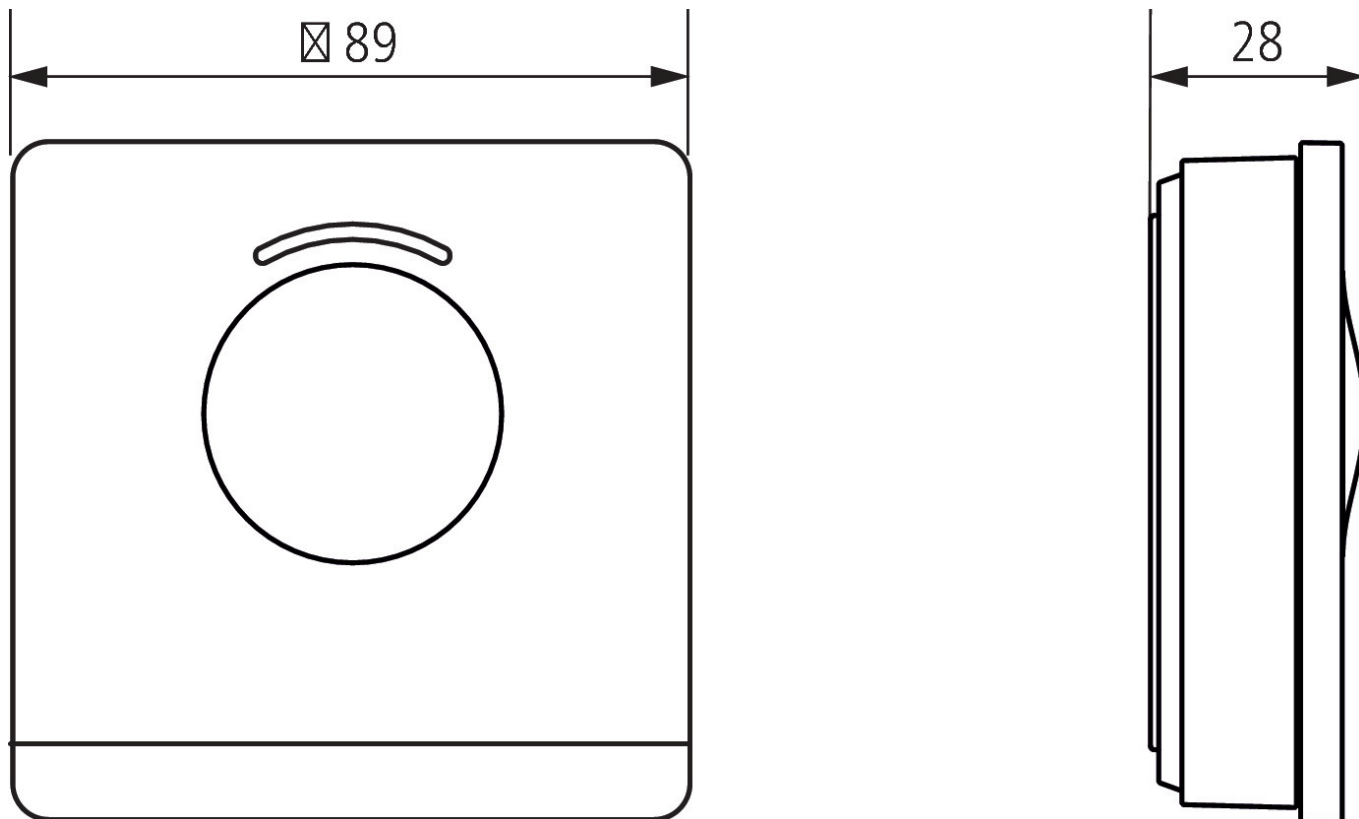
The load data are determined with exemplary selected illuminants and are therefore typical data due to the large number of available products.

# AMUN 716 S0

Item no.: 7160820

**theben**

## Scale drawings



## Accessories

Power unit CO2-sensor

Item no.: 9070494



Subject to technical changes and misprints

additional information at: [www.theben.de/product/7160820](http://www.theben.de/product/7160820)

The load data are determined with exemplary selected illuminants and are therefore typical data due to the large number of available products.